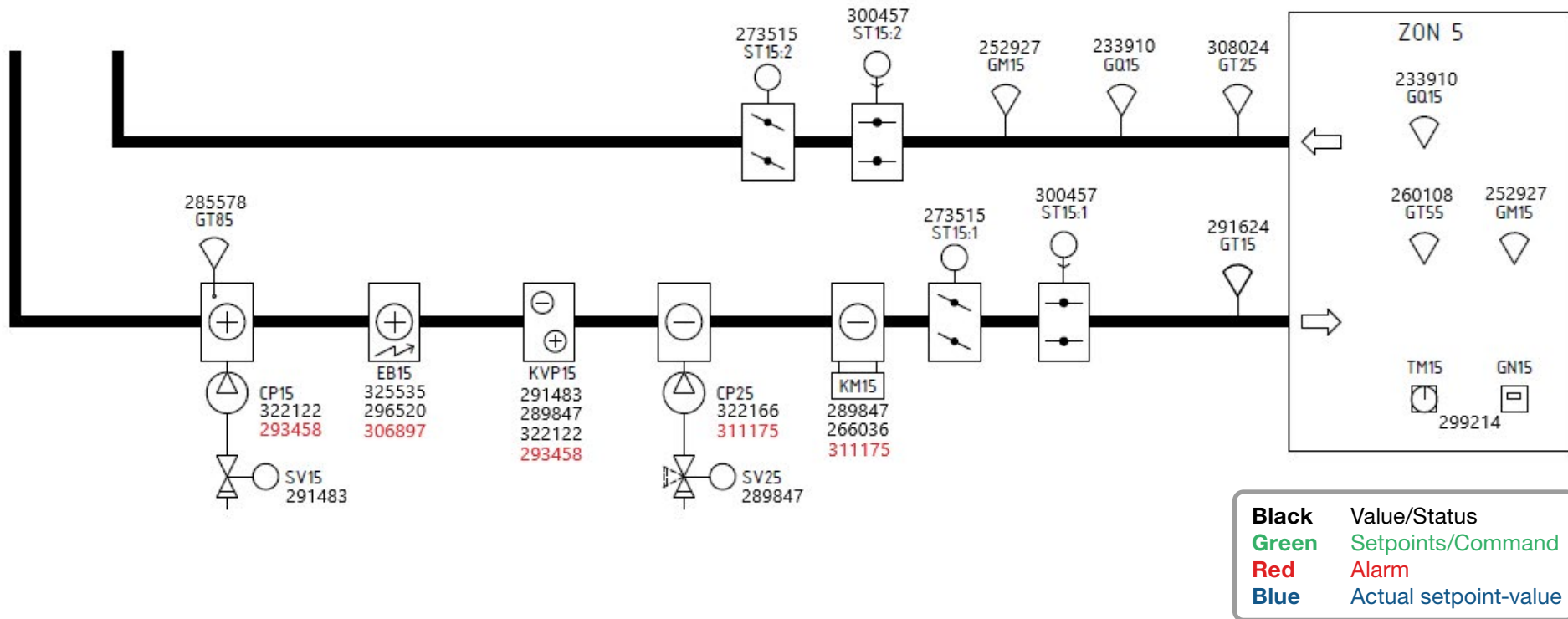


Example of useful AHU BACnet



ZON 5	Z5	GT55	325644	Z5	Room temp	EB15	306897	Z5	El heating alarm		
	306404	Z5	Temp setpoint	GQ15	299446	Z5	Air quality	SV25	289847	Z5	Cooling output signal
	322073	Z5	Temp deadzone	GQ15	270551	Z5	Air quality setpoint	CP25	322166	Z5	Cooling pump command
Only when cascade	323942	Z5	Temp current supply setpoint heating	GM15	318463	Z5	Humidity	CP25	311175	Z5	Cooling pump alarm
	297805	Z5	Temp current supply setpoint cooling	GM15	363033	Z5	Humidity setpoint	KM15	266036	Z5	DX cooling command
	298576	Z5	Temp current setpoint heating	SV15	291483	Z5	Heating output signal	KM15	311175	Z5	DX cooling alarm
	324731	Z5	Temp current setpoint cooling	CP15	322122	Z5	Heating pump command	ST15:X	273515	Z5	Damper output signal
GT15	291624	Z5	Supply temp	CP15	293458	Z5	Heating pump alarm	ST15:X	300457	Z5	Damper command
GT25	308024	Z5	Extract temp	EB15	325535	Z5	El heating output signal	TM1/GN15	299214	Z5	External control input
GT85	285578	Z5	Frost temp	EB15	296520	Z5	El heating command				